



1. Optional U-Clamp  
2. Optional Front Flange  
3. Optional Back Flange

### Description & Features:

- Liquid filled stainless steel case protects against vibration and pulsation
- Bayonet ring
- Highly accurate
- Back, bottom, or panel mounted
- Stainless steel or brass wetted parts
- Restrictor screw standard
- CRN registered
- 5 year warranty

### Applications:

- Outdoor and severe ambient and process conditions
- Use where harmful vibration and pulsation are present
- Hydraulic equipment, pressure washers, oil field equipment, pumps, compressors and process systems

Specifications	Stainless Steel Internals	Brass Internals
<b>Dial</b>	2.5" (63mm), 4" (100mm), 6" (150mm) white aluminum with black and red markings	4" (100mm) white aluminum with black and red markings
<b>Case</b>	AISI 304 SS	AISI 304 SS
<b>Lens</b>	Polycarbonate	Polycarbonate
<b>Ring</b>	AISI 304 SS	AISI 304 SS
<b>Socket</b>	316L SS	OT 58 brass 4" only
<b>Connection</b>	1/4" NPT or 1/2" NPT standard 2.5" (63mm): 1/4" NPT standard only	1/4" NPT or 1/2" NPT standard
<b>Bourdon Tube</b>	316L SS, drawn seamless	Phosphor bronze
<b>Movement</b>	304 SS Over/under stops for 4" (100mm) dial only	OT 59 brass
<b>Pointer</b>	2.5" (63mm): Aluminum, anodized black 4" (100mm), 6" (150mm): Aluminum, anodized black, micrometer adjustable	4" (100mm) aluminum, anodized black, micrometer adjustable
<b>Welding</b>	TIG	Silver alloy
<b>Fill Liquid</b>	Glycerin	Glycerin
<b>Over-Pressure Limit</b>	30% for pressures up to 600 psi (4,147 kPa), 15% for pressures over 600 psi (4,147 kPa)	25% for pressures up to 1,400 psi (9,653 kPa), 15% for pressures over 1,400 psi (9,653 kPa)
<b>Gasket Material</b>	2.5" (63mm): Buna N for case and block seal, Monoprene for lens seal 4" (100mm), 6" (150mm): EPDM	Silicone rubber for socket, EPDM for lens, filling plug and blow-out vent
<b>Working Pressure</b>	Maximum 75% of full scale value	Maximum 75% of full scale value
<b>Ambient/Process Temperature</b>	Dry: -40°F to 150°F (-40°C to 65°C) Glycerin Filled: -4°F to 150°F (-20°C to 65°C)	Dry: -40°F to 150°F (-40°C to 65°C) Glycerin Filled: -4°F to 150°F (-20°C to 65°C)
<b>Accuracy</b>	2.5" (63mm): ±1.5% of full scale 4" (100mm), 6" (150mm): ±1% ANSI/ASME Grade 1A	4" (100mm): ±1% ANSI/ASME Grade 1A
<b>Enclosure Rating</b>	IP66 per UEC 529, UNI 8896	IP66 per UEC 529, UNI 8896

## Order Codes (products in bold are normally in stock)

Dial Size	2.5" (63mm)						4" (100mm)			
	1/4" Back		1/2" Back		1/4" Back		1/2" Back		1/4" Back	
Connection	Bottom	(CB)	Bottom	Bottom	(LB)	Back	Bottom	Bottom	(LB)	Back
Movement Socket, Tube	SS	SS	Brass	Brass	Brass	Brass	SS	SS	SS	SS
30" Hg Vacuum/kPa	<b>PFP820</b>	<b>PFP840</b>	<b>PFP600</b>	-	PFP1000	-	<b>PFP640</b>	<b>PFP655</b>	<b>PFP1090</b>	-
30"-0-15 psi/kPa	<b>PFP860</b>	PFP870	PFP1020	-	PFP1028	-	PFP1036	PFP1044	PFP1244	-
30"-0-30 psi/kPa	<b>PFP861</b>	<b>PFP871</b>	<b>PFP1021</b>	-	PFP1029	-	<b>PFP1037</b>	PFP1045	PFP1245	-
30"-0-60 psi/kPa	<b>PFP862</b>	<b>PFP872</b>	PFP1022	-	PFP1030	-	<b>PFP1038</b>	PFP1046	PFP1246	-
30"-0-100 psi/kPa	<b>PFP863</b>	PFP873	PFP1023	-	PFP1031	-	PFP1039	PFP1047	PFP1247	-
30"-0-150 psi/kPa	<b>PFP864</b>	<b>PFP874</b>	<b>PFP1024</b>	-	PFP1032	-	<b>PFP1040</b>	<b>PFP1048</b>	PFP1248	-
30"-0-200 psi/kPa	<b>PFP866</b>	PFP876	PFP1026	-	PFP1034	-	PFP1042	PFP1050	PFP1249	-
30"-0-300 psi/kPa	<b>PFP867</b>	PFP877	PFP1027	-	PFP1035	-	PFP1043	PFP1051	PFP1250	-
0-15 psi/kPa	<b>PFP821</b>	<b>PFP921</b>	<b>PFP601</b>	-	<b>PFP1001</b>	-	<b>PFP641</b>	<b>PFP656</b>	<b>PFP1091</b>	-
0-30 psi/kPa	<b>PFP822</b>	<b>PFP922</b>	<b>PFP602</b>	-	PFP1002	-	<b>PFP642</b>	<b>PFP657</b>	<b>PFP1092</b>	-
0-60 psi/kPa	<b>PFP823</b>	<b>PFP923</b>	<b>PFP603</b>	-	PFP1003	-	<b>PFP643</b>	<b>PFP658</b>	<b>PFP1093</b>	-
0-100 psi/kPa	<b>PFP824</b>	<b>PFP924</b>	<b>PFP604</b>	-	<b>PFP1004</b>	-	<b>PFP644</b>	<b>PFP659</b>	<b>PFP1094</b>	-
0-160 psi/kPa	<b>PFP825</b>	<b>PFP925</b>	<b>PFP605</b>	-	PFP1005	-	<b>PFP645</b>	<b>PFP660</b>	<b>PFP1095</b>	-
0-200 psi/kPa	<b>PFP826</b>	<b>PFP926</b>	<b>PFP606</b>	-	PFP1006	-	<b>PFP646</b>	<b>PFP661</b>	<b>PFP1096</b>	-
0-300 psi/kPa	<b>PFP827</b>	<b>PFP927</b>	<b>PFP607</b>	-	PFP1007	-	<b>PFP647</b>	<b>PFP662</b>	<b>PFP1097</b>	-
0-400 psi/kPa	<b>PFP880</b>	<b>PFP881</b>	<b>PFP610</b>	-	PFP1016	-	<b>PFP650</b>	<b>PFP666</b>	PFP1251	-
0-600 psi/kPa	<b>PFP828</b>	<b>PFP928</b>	<b>PFP608</b>	-	PFP1008	-	<b>PFP648</b>	<b>PFP663</b>	<b>PFP1098</b>	-
0-1,000 psi/kPa	<b>PFP829</b>	<b>PFP929</b>	<b>PFP609</b>	PFP624	-	PFP1009	<b>PFP649</b>	<b>PFP664</b>	<b>PFP1099</b>	-
0-1,500 psi/kPa	<b>PFP834</b>	<b>PFP934</b>	-	PFP625	-	PFP1010	-	<b>PFP665</b>	PFP1252	<b>PFP1190</b>
0-2,000 psi/kPa	<b>PFP830</b>	<b>PFP930</b>	-	PFP626	-	PFP1011	-	<b>PFP667</b>	<b>PFP1253</b>	PFP1191
0-3,000 psi/kPa	<b>PFP831</b>	<b>PFP931</b>	-	<b>PFP627</b>	-	PFP1012	-	<b>PFP668</b>	<b>PFP1254</b>	PFP1192
0-5,000 psi/kPa	<b>PFP832</b>	<b>PFP852</b>	-	PFP628	-	PFP1013	-	<b>PFP669</b>	<b>PFP1255</b>	<b>PFP1193</b>
0-6,000 psi/kPa	PFP836	<b>PFP851</b>	-	PFP631	-	PFP1015	-	<b>PFP675</b>	PFP1259	PFP1197
0-10,000 psi/kPa	<b>PFP833</b>	<b>PFP853</b>	-	PFP629	-	PFP1014	-	<b>PFP670</b>	PFP1256	PFP1194
0-15,000 psi/kPa	<b>PFP835</b>	<b>PFP855</b>	-	PFP630	-	PFP1018	-	PFP671	PFP1257	PFP1195
0-20,000 psi/kPa	-	-	-	PFP639	-	PFP1019	-	<b>PFP672</b>	PFP1258	PFP1196

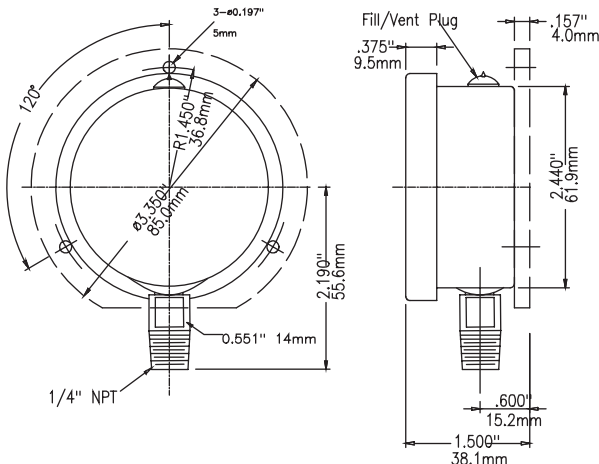
### Option suffix for above order codes only:

25UC = 2.5" (63mm) U-Clamp  
 25FF = 2.5" (63mm) Front Flange  
 25BF = 2.5" (63mm) Back Flange  
 2.5 BOOT = 2.5" (63mm) black rubber boot  
 Other ranges and connection sizes available upon request

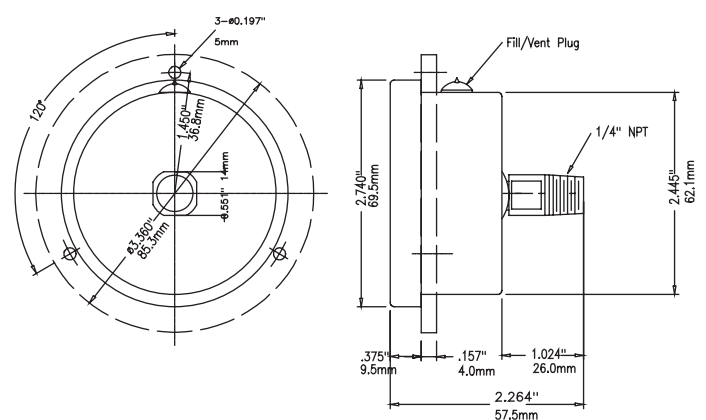
4UC-P = 4" (100mm) Premium U-Clamp  
 4FF = 4" (100mm) Front Flange  
 4BF = 4" (100mm) Back Flange  
 SG-4 = Safety Glass Lens 4"  
 316 SS Case and Mountable Bezel

SF25 = Silicone Filled for 2.5"  
 SF4 = Silicone Filled for 4"  
 SG-25 = Safety Glass 2.5"  
 Dry = Supply above gauge less liquid fill

### 2.5" Bottom Connection with optional Back Flange



### 2.5" Back Connection with optional Front Flange



### Order Codes (products in bold are normally in stock)

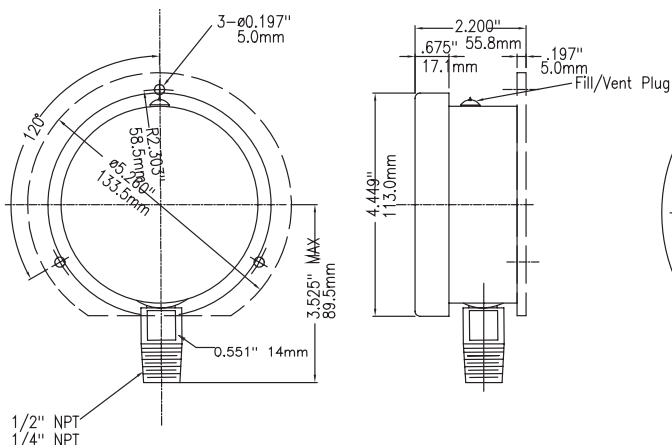
Dial Size	6" (150mm)			
Connection	1/4" Bottom	1/4" Back (LB)	1/2" Bottom	1/2" Back (LB)
Movement, Socket, Tube	SS	SS	SS	SS
30" Hg Vacuum/kPa	<b>PFP1078</b>	PFP1168	-	-
30"-0-15 psi/kPa	<b>PFP1079</b>	-	-	-
30"-0-30 psi/kPa	<b>PFP1052</b>	-	-	-
30"-0-60 psi/kPa	<b>PFP1053</b>	-	-	-
30"-0-100 psi/kPa	PFP1054	-	-	-
30"-0-150 psi/kPa	<b>PFP1055</b>	-	-	-
30"-0-200 psi/kPa	PFP1057	-	-	-
30"-0-300 psi/kPa	PFP1058	-	-	-
0-15 psi/kPa	PFP1059	PFP1159	-	-
0-30 psi/kPa	<b>PFP1060</b>	PFP1160	-	-
0-60 psi/kPa	<b>PFP1061</b>	PFP1161	-	-
0-100 psi/kPa	PFP1062	PFP1162	-	-
0-160 psi/kPa	<b>PFP1063</b>	PFP1163	-	-
0-200 psi/kPa	<b>PFP1064</b>	PFP1164	-	-
0-300 psi/kPa	<b>PFP1065</b>	PFP1165	-	-
0-400 psi/kPa	PFP1077	-	-	-
0-600 psi/kPa	PFP1066	PFP1166	-	-
0-1,000 psi/kPa	<b>PFP1067</b>	PFP1167	<b>PFP1080</b>	-
0-1,500 psi/kPa	PFP1068	-	PFP1081	PFP1169
0-2,000 psi/kPa	PFP1069	-	PFP1082	PFP1170
0-3,000 psi/kPa	PFP1070	-	<b>PFP1083</b>	PFP1171
0-5,000 psi/kPa	PFP1072	-	PFP1085	PFP1172
0-6,000 psi/kPa	-	-	PFP1089	PFP1176
0-10,000 psi/kPa	PFP1073	-	PFP1086	PFP1173
0-15,000 psi/kPa	PFP1074	-	PFP1087	PFP1174
0-20,000 psi/kPa	PFP1075	-	PFP1088	PFP1175

#### Option suffix for above order codes only:

6UC = 6" (150mm) U-Clamp  
 6FF = 6" (150mm) Front Flange  
 6BF = 6" (150mm) Back Flange  
 SG-6 = Safety Glass Lens 6"

SF6 = Silicone Filled for 6"  
 SC = Safety Case (6" bottom connection only)  
 Dry = supply above gauge less liquid fill  
 Other ranges and connection sizes available upon request

#### 4" Bottom Connection, Back Flange Option



#### 6" Back Connection with Front Flange

