

# Maxseal Solenoid Operated Valves



IFR3  
&  
IFR4



## Typical Applications

- IFR3 1/4" Filter Regulator
- IFR4 1/2" Filter Regulator
- Oil & Gas Applications
- Control & Filtration of Process Media
- Pneumatic Control for Actuators, Cylinders and Positioners
- Designed for use with the Maxseal ICO3S & ICO4S Solenoid Valves

## Thompson Valves Ltd

### Description

- Model IFR (Instrument Filter Regulator)
- All 316 Stainless Steel
- Filter / Regulator Combination
- High Flow Capability
- Max Inlet Pressure 20 bar
- Maintains set pressure with increasing flow
- Fully Venting
- Reliable and long life, ideal for one time installation

### Standard Features

Materials of Construction	<input type="checkbox"/>	Valve Body - Stainless Steel - 316
	<input type="checkbox"/>	Top & Bottom Covers - Stainless Steel - 316
	<input type="checkbox"/>	Valve Trim Materials - 316 Stainless Steel
	<input type="checkbox"/>	O-Rings & Seals - Nitrile (NBR)
	<input type="checkbox"/>	Diaphragm - Nitrile (NBR)
	<input type="checkbox"/>	Seat & Adjustment Springs - Stainless Steel
Filter with manual drain	<input type="checkbox"/>	40 µm - Stainless Steel
Relief Port	<input type="checkbox"/>	1/8" NPT Threaded port with bug screen
Maximum Inlet Pressure	<input type="checkbox"/>	20 bar
Outlet Pressure Range	<input type="checkbox"/>	0.5 - 6 bar
	<input type="checkbox"/>	0.5 - 10 bar
	<input type="checkbox"/>	0.5 - 16 bar
Temperature Ratings	<input type="checkbox"/>	Media (Min/Max -30°C/90°C) - Ambient (Min/Max -30°C/90°C)
Process Connections	<input type="checkbox"/>	IFR3 - 1/4" NPT
	<input type="checkbox"/>	IFR3 - 1/2" NPT
Media	<input type="checkbox"/>	Air & Gas
Weight	<input type="checkbox"/>	IFR3 - 1.8 kg
	<input type="checkbox"/>	IFR4 - 2.2 kg

### Recommended Spares Kits

Soft Spares (O-rings, Springs, etc.)	<input type="checkbox"/>	Please call for details
--------------------------------------	--------------------------	-------------------------

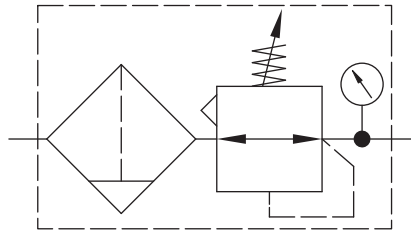
### Options

Process Connections	<input type="checkbox"/>	IFR3 - 1/4" BSPP
	<input type="checkbox"/>	IFR4 - 1/2" BSPP
Filter	<input type="checkbox"/>	20 µm
	<input type="checkbox"/>	5 µm
Low Temperature Variant	<input type="checkbox"/>	Media (Min/Max -50°C/90°C) - Ambient (Min/Max -50°C/90°C)
Mounting Bracket Kit supplied alone	<input type="checkbox"/>	IFR3 - YR20A010BS
	<input type="checkbox"/>	IFR4 - YR20A030BS
NACE	<input type="checkbox"/>	Please call for details

### Technical Specification

Pressures	<input type="checkbox"/>	Test (Proof) Pressure	30 bar
	<input type="checkbox"/>	Maximum Inlet Pressure	20 bar
ATEX Classification	<input type="checkbox"/>	Exc - Complies with EN13463 for Non-Electrical Equipment	

**Valve Symbol**

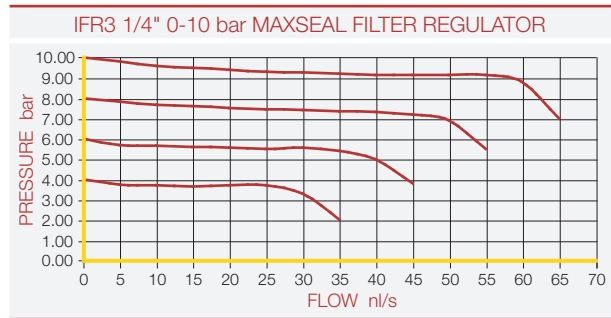


**VALVE SYMBOL**  
(SELF RELIEVING WITH MANUAL DRAIN & GAUGE)

**Flow Rates (16 bar Inlet)**  
Pressure drop shown as a % of Outlet Flow

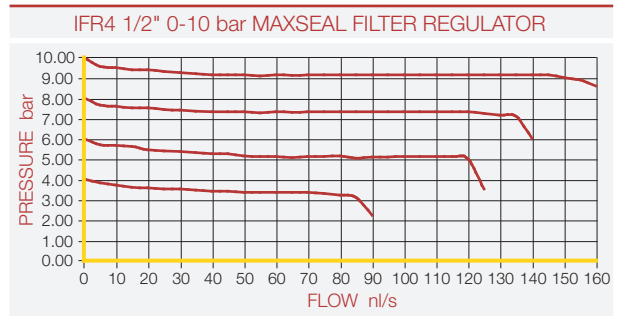
IFR3 - 0.5 - 6 bar		
Outlet (bar)	Flow (nl/s)	Pressure Drop
1	8	20%
2	25	10%
4	35	10%
6	45	10%

IFR3 - 0.5 - 16 bar		
Outlet (bar)	Flow (nl/s)	Pressure Drop
10	60	20%
12	75	10%
16	85	10%



IFR3 - 0.5 - 10 bar		
Outlet (bar)	Flow (nl/s)	Pressure Drop
2	15	20%
4	25	10%
6	35	10%
8	45	10%
10	60	10%

IFR4 - 0.5 - 10 bar		
Outlet (bar)	Flow (nl/s)	Pressure Drop
4	80	10%
6	120	10%
8	140	10%
10	160	10%



**Ordering Information**

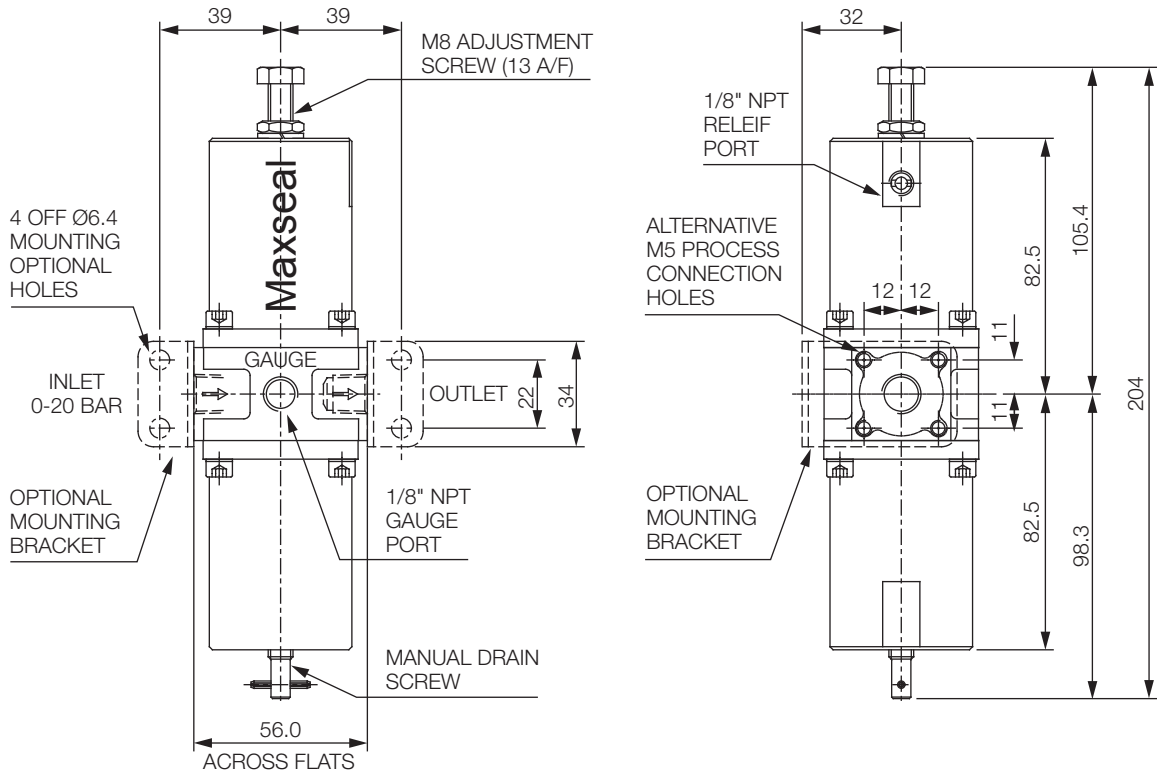
Model	Inlet Pressure	Outlet Pressure	Type	Process Conn.	Seat/Seal Materials	Gauge	Mounting	Body/Trim Materials	Filtration
YR	2	A	C	A1	H	O	B	S	040
IFR3 = 1/4" IFR4 = 1/2"	0-20 bar	6 0.5 - 6.0 bar	Filter / Regulator Combination	A1 1/4" NPT	H Nitrile	O NONE	B Mounting Bracket	S 316 Stainless Steel / 316 Stainless Steel	040 40-50 µm
		A 0.5 - 10 bar		E1 1/4" BSPP	V Viton®	1 Ø50 316SS Dry Gauge			020 20-30 µm
		B 0.5 - 16.0 bar		A3 1/2" NPT	L Low Temp Variant	2 Ø50 316SS Oil-Filled Gauge	N NONE		005 5-10 µm

**Ordering Example**

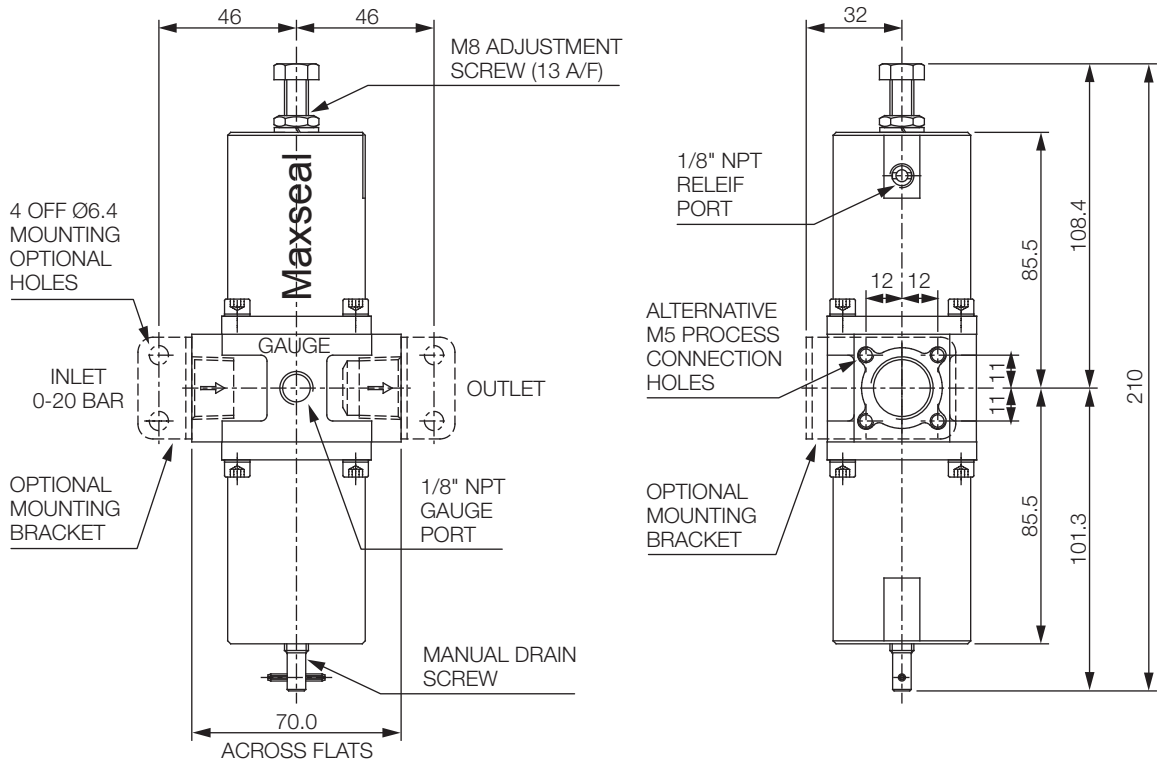
YR	2	6	C	A3	H	1	B	S	020
IFR3	0-20 bar	0.5 - 6.0 bar	Filt/Reg Comb	1/2" NPT	Nitrile	Ø50 316SS Dry Gauge	Mounting Bracket	316 SS / 316 SS	20-30 µm

# Thompson Valves Ltd - Maxseal Solenoid Operated Valves

## IFR3 - 1/4" Filter Regulator Combination



## IFR4 - 1/2" Filter Regulator Combination



Thompson Valves reserves the right to amend product specifications or designs without notice. Information is given in good faith and no liability can be accepted for error or omission. Viton® is a registered trademark of DuPont Performance Elastomers.

Thompson Valves, 17 Balena Close, Creekmoor, Poole, Dorset BH17 7EF, ENGLAND  
 Tel +44 (0)1202 647331 Fax +44 (0)1202 647302 Email maxseal@thompson-valves.com  
 www.thompson-valves.com A fluid controls business of IMI plc