

PREMIER COMMERCIAL BOILERS



CLEARFIRE MODEL CFH - STEAM

A BOILER IN TUNE WITH THE ENVIRONMENT AND TODAY'S MARKET NEEDS

Low NOX < 30 PPM • 85% Efficiency • Premix Technology
Low Noise < 70 dBA • Full Modulation Fire • Ease of Maintenance

Controls

The CLEARFIRE-H's high efficiency is achieved by employing an advanced Fecralloy burner designed to premix air and fuel for optimal combustion. This boiler utilizes Cleaver-Brooks' patented Alufer finned firetubes resulting in unmatched heat transfer and superior fuel-to-steam efficiency. Efficiency is 85% on low pressure steam. With optional economizer efficiency is 85% on high pressure steam.



Advanced Fecralloy Burner



Super Efficient Patented Alufer Finned Firetubes

Call: **800-250-5883**
 Write: **info@cleaver-brooks.com**
 Visit: **www.cleaver-brooks.com**

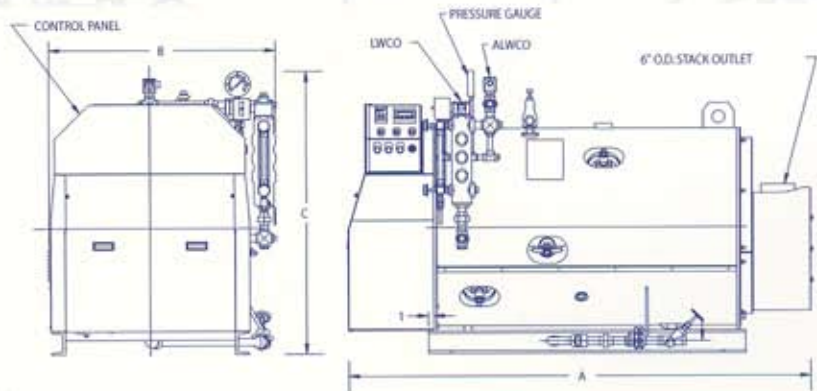


CLEARFIRE-H Features

- Fully-Modulating with High-Turndown via Variable Speed Blower
- Easily-Tuned, Zero-Governor, Premix Burner — No Dampers or Linkages
- Low Emissions (< 30 ppm NOx and < 10 ppm CO) —Advanced Combustion Design Eliminates Need For Flue Gas Recirculation
- High efficiency - Greenhouse Gas Reduction
- Direct Spark Ignition
- Low Gas Pressure < 14" W.C.
- Low Noise < 70 DBA
- Single Phase Power — 115V or 230V
- Natural Gas (UL) or Propane
- Controls are CSD-1 Compliant
- 15# or 150# Steam

CLEARFIRE-H Options

- Sealed Combustion
- Surface Blow-Off Controls
- Chemical Feed Tank
- High Pressure Regulator
- Integral Feed Water System
- Blowdown & Feedwater Valve Assemblies
- Economizer Package (High Pressure Steam)
- MODBUS (485) Communications



Clearfire-H Boiler Dimensions and Ratings

Boiler H.P.	10	15	20	25	30	40
Dimensions – INCHES						
Overall Length (A)	82	82	84	84	96	96
Overall Width (B)	40	40	44	44	55	55
Overall Height (C)	50	50	52	52	61	61
Steam Boiler Weights in LBS						
Normal Water Weight	980	980	1,200	1,200	1,780	1,780
Approx. Shipping Weight (15# Steam)	2,000	2,000	2,290	2,290	3,870	3,870
Approx. Shipping Weight (150# Steam)	2,020	2,020	2,310	2,310	4,040	4,040
Power Requirements (Single Phase, 115 or 230 VAC)						
Blower Motor Size (Watts)	300	300	300	300	820	820
Ratings						
Rated Capacity – Steam (lbs-steam/hr from & at 212°F)	345	518	690	863	1,035	1,380
Output (1000 Btu/hr)	335	502	669	837	1,004	1,339
Fuel Input (CFH) - 15# Steam	394	591	788	984	1,181	1,575
Fuel Input (CFH) - 150# Steam*	403	605	807	1,008	1,210	1,613
Fireside Heating Surface (sq. ft.)	84	84	132	132	212	21*

*input calculated at nominal 83% efficiency for 1000 Btu gas content

